

Parameters

CCT	2700-6500K	Power Factor	>0.95
IP Grade	IP66	Lamp Size(mm)	344x184x238
Working Life	98,000h L80 B10	Beam Angle	30°/60°/90°, Asymmetric G4
Working Temperature	-40 °C ~60 °C		
Lamp Luminous Flux	180LM/W±5%(240W) 170LM/W±5%(300W)		
Weight	5.5KG±5%(240W) 6.0KG±5%(300W)		
Input Voltage	AC 100-240V 277V~,50/60Hz		

Trouble Shooting

* Please don't disassemble light without being authorized staff only.

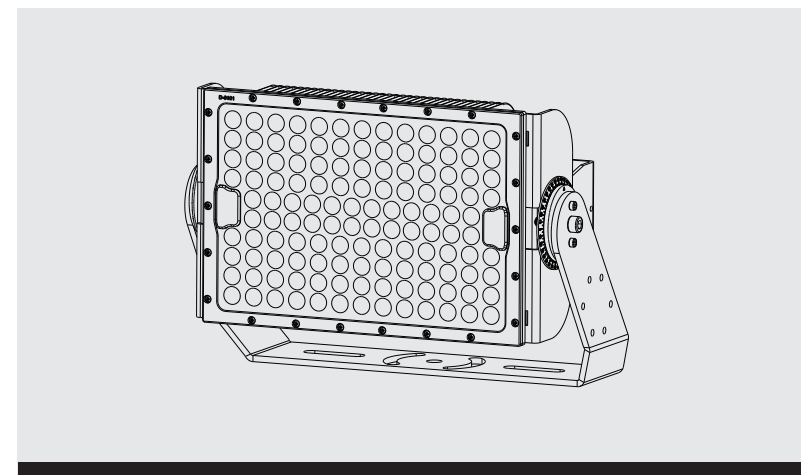
* Please report us the abnormality in time.

Problem	Possible Cause	Solutions
LEDs stop working	The power line/plug is improperly connected.	Reconnect the power cable/plug.
	Power failure.	Check the circuit.
	Fault with LED driver.	Replace with new driver.
	Damage to LED chips.	Replace with new LEDs board.
LEDs flash on and off	The output of the driver is abnormal.	Replace with new driver.
	The LED chip breaks down.	Replace with new LED board.
	Voltage instability.	Power-off and check the power supply.

Mammoth

Din belysningspartner

Installation Instructions



LED Flood Light

240W/300W

Warning



Power-Off In Accident



Use Original Parts



Follow The Installation
Instructions



Certified Installer



Not Suitable For
Underwater Use



-40 °C ~60 °C
Working Temperature

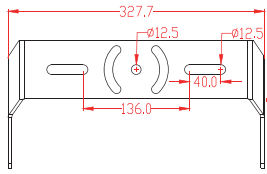


Keep Away
From Chemical

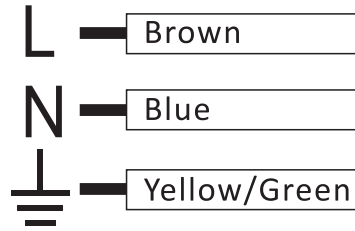
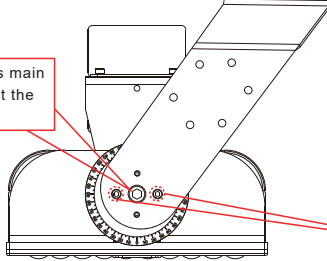


Use Waterproof Wiring

Installation Steps

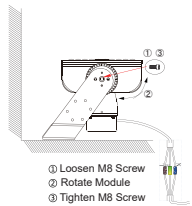
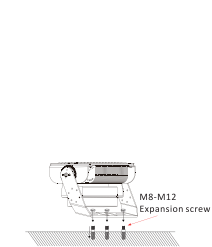


Only loose this main screw to adjust the bracket.

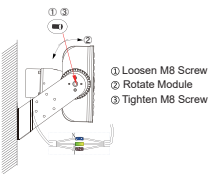
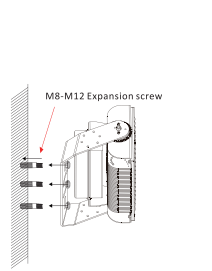


100-240V 277V~,
50/60Hz

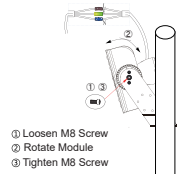
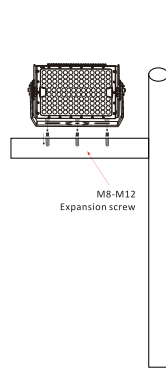
⚠ Don't remove scale plate screw.



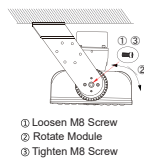
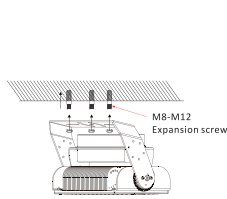
Ground Installation



Wall Installation



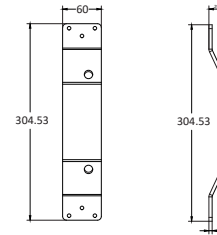
Pole Installation



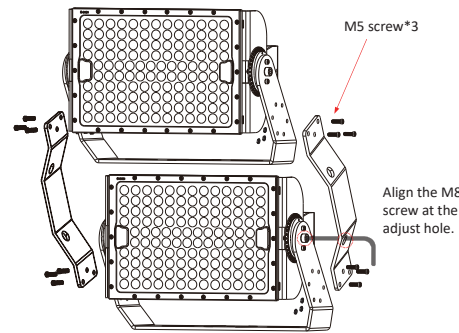
Ceiling Installation

Accessories Installation

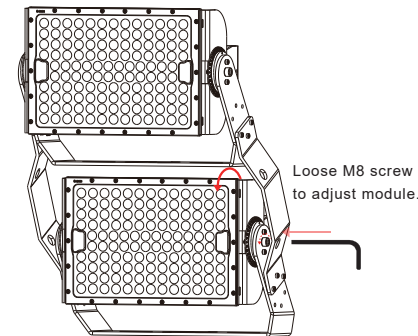
Unit combination



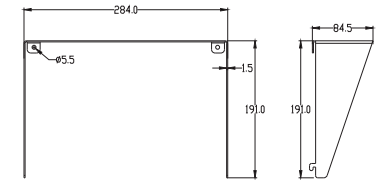
① Mounting 2 side brackets with 12 screws



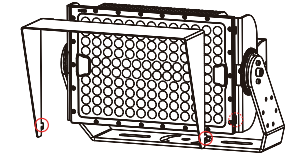
② Finish



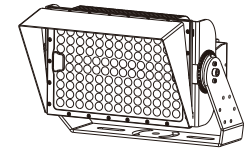
Light shield



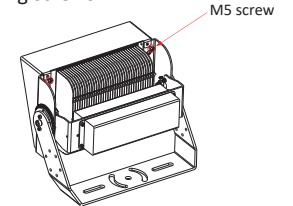
① Align to a pile hole



② Lock the shield



③ Mounting screws



④ Finish

